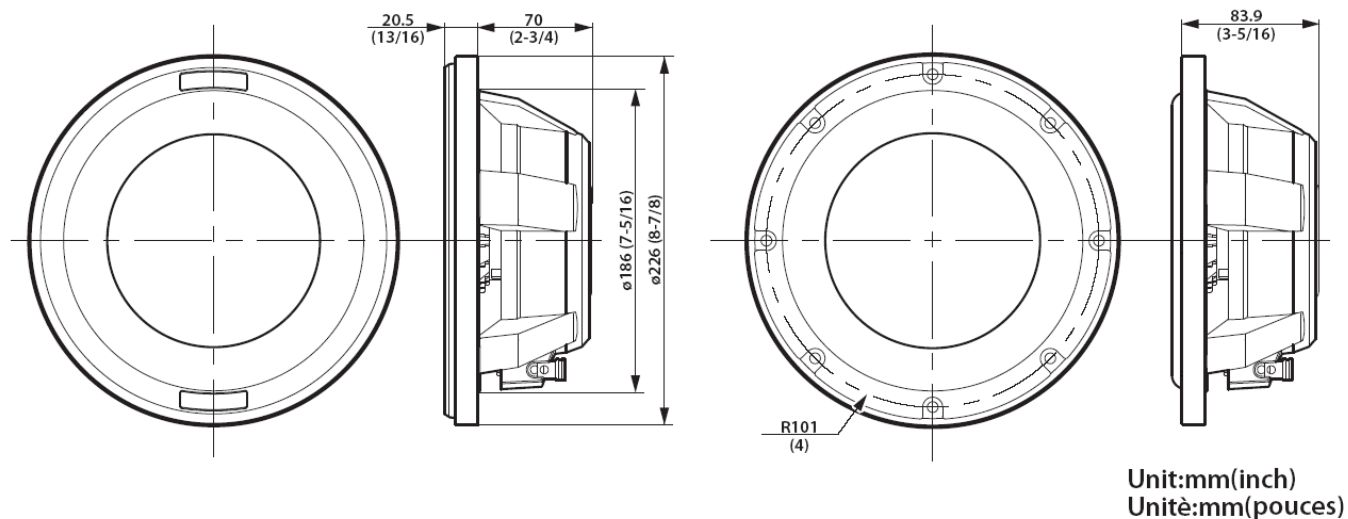


KFC-XW800F

Specifications

Subwoofer	200 mm (8") Carbon-Glass Fiber Honeycomb Cone
Nominal Impedance	4 Ω
Maximum Peak Power	600 W
Maximum RMS Power	150 W
Sensitivity	78 dB/W at 1 m
Free Air Resonance	43 Hz
Frequency Response	40-500 Hz
Net Weight	2,900 g

Dimensions

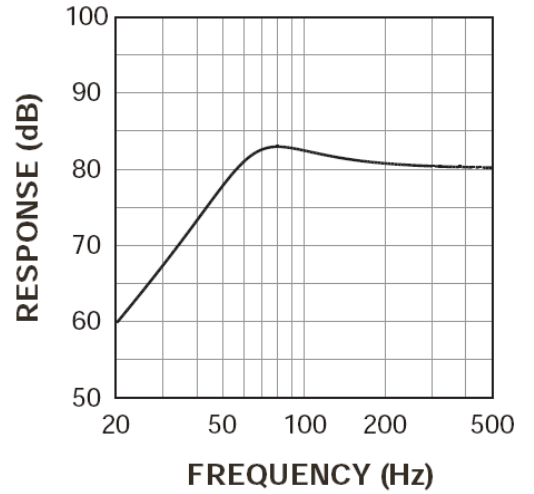
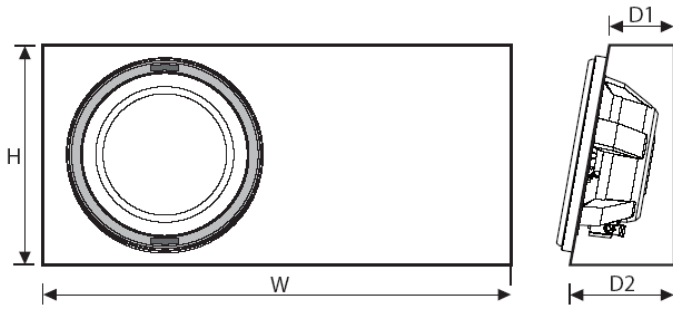


Technical specifications

	SYMBOL	UNIT	VALUE
Nominal Impedance	Z	Ω	4
DC Resistance	Revc	Ω	3.3
Voice Coil Inductance	Levc	mH	1.39
Piston Area	Sd	sq.m	0.021
Force Factor	BL	T·m	8.4
Volume Acoustic Compliance	Vas	liter	10.7
		cu.ft	0.378
Moving Mass	Mms	g	83.3
Resonance Frequency	Fs	Hz	43
Mechanical Q Factor	Qms		4.07
Electrical Q Factor	Qes		1.015
Total Q Factor	Qts		0.812
Maximum Peak Power		W	600
Peak Excursion	Xmax	mm	6.5
Displacement		cc	878
		cu.ft	0.031
Mounting Depth		mm (in.)	70 (2-3/4)
Weight of Magnet		g (oz)	545 (19.2)
Voice Coil Diameter		mm (in.)	45 (1-3/4)

Recommended Enclosures

■ SEALED

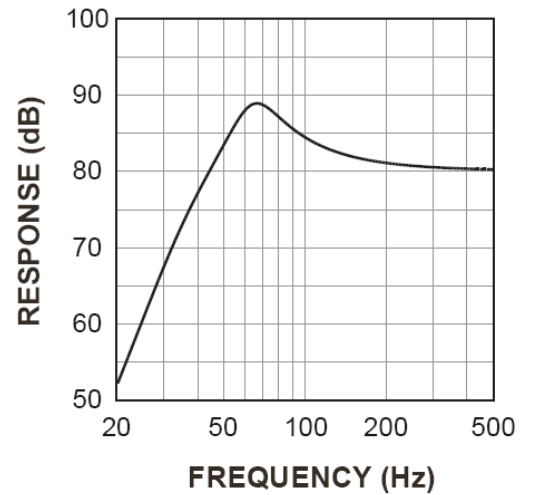
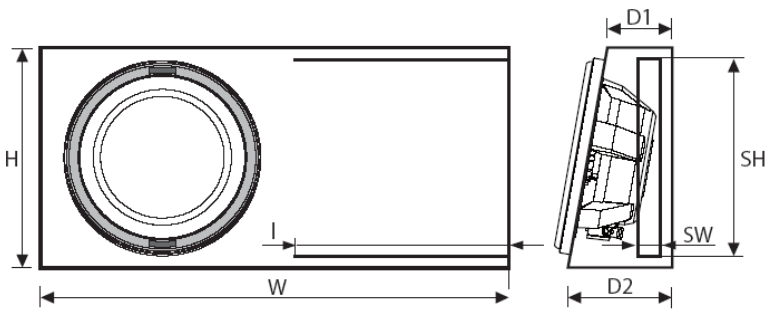


*W, H, D : External Dimensions

Type	Inner Volume	W	H	D1	D2	Mounting Hole	Displacement
SEALED	0.5 cft (14.2 Liter)	680 mm (26-3/4")	310 mm (12-3/16")	80 mm (3-1/8")	136 mm (5-3/8")	189 mm (7-7/16")	0.031 cu.ft

Use 15 mm (9/16 inch) thick Medium Density Fiberboard (MDF) or High Density Particleboard.

■ PORTED



*W, H, D : External dimensions

Type	Inner Volume	W	H	D1	D2	Mounting Hole	SW	SH	I	Displacement
PORTED	0.5 cft (14.2 Liter)	680 mm (26-3/4")	310 mm (12-3/16")	80 mm (3-1/8")	136 mm (5-3/8")	189 mm (7-7/16")	30 mm (1-3/16")	280 mm (11")	435 mm (17-1/8")	0.031 cu.ft